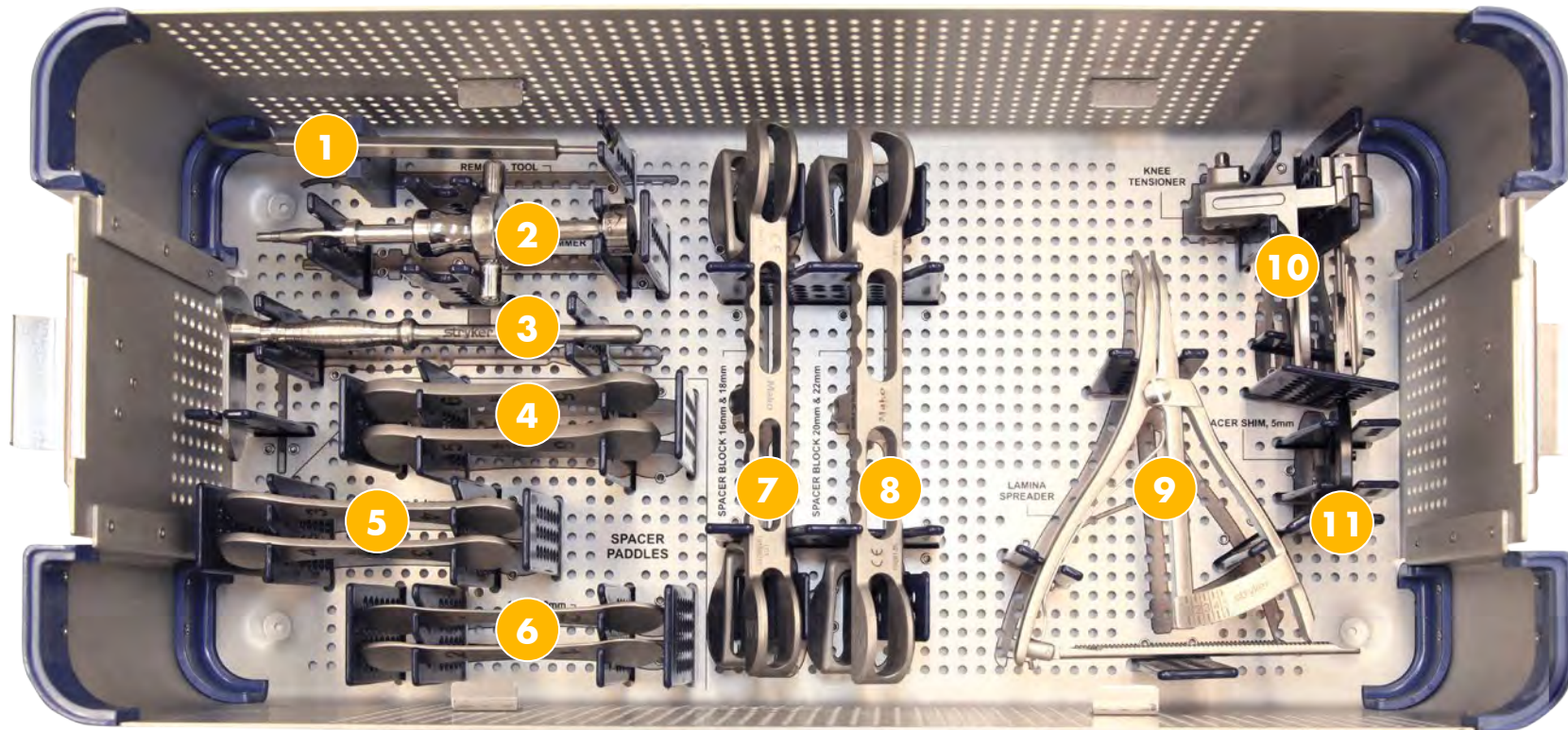


Upper tray

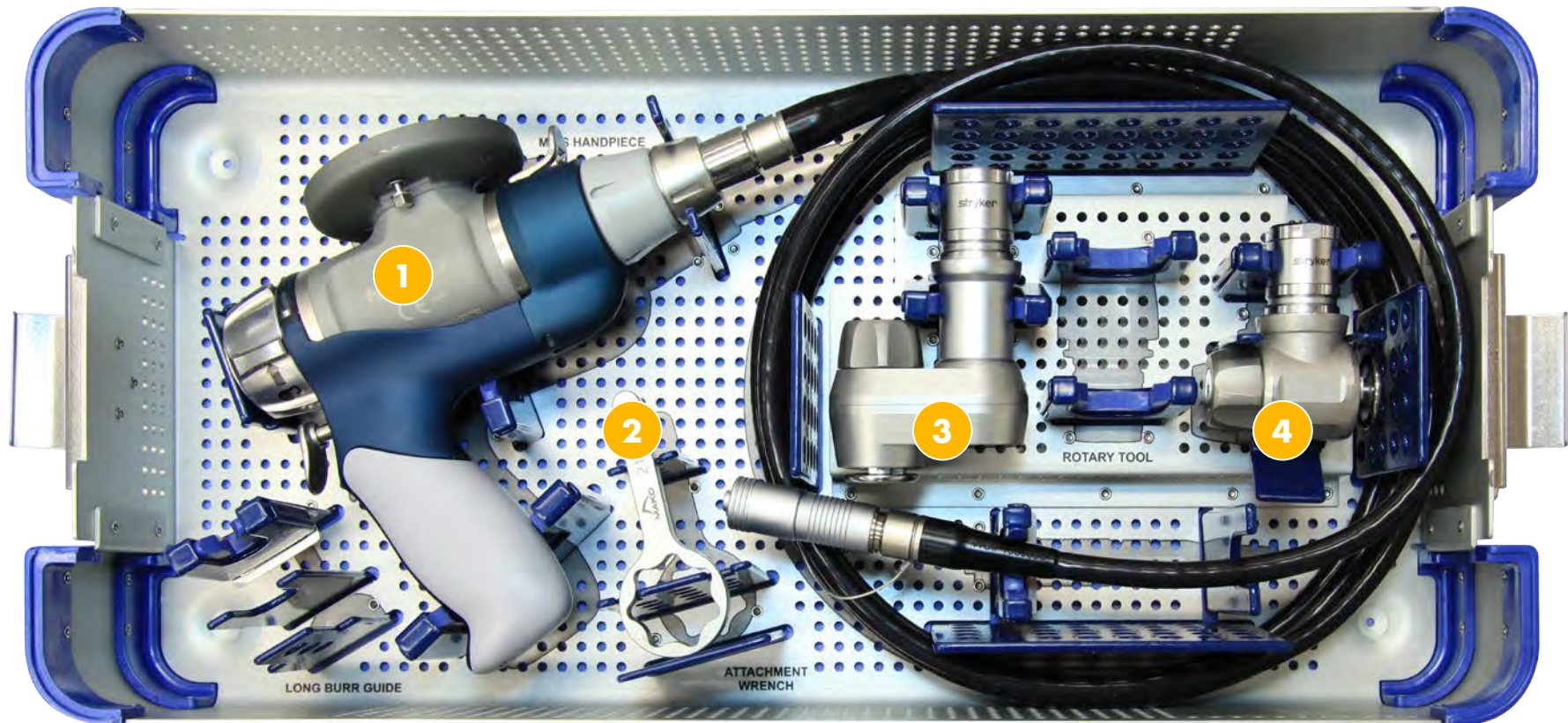
	Description		Description		
1	110730	End effector array	10	110810	Sharp probe
2	112280	Tibial array	11	112670	Long 3.2 array stabilizer
3	112290	Femoral array	12	112690	Short 3.2 array stabilizer
4	112227	Base array	13	112660	Long 4.0 array stabilizer
5	164020	Registration tool	14	112680	Short 4.0 array stabilizer
6	110100	Knee checkpoint driver	15	112240	Array adaptor
7	111120	Square drill adaptor	16	112240	Array adaptor
8	111160	Square driver	17	112270	2-Pin clamp
9	110800	Blunt probe	18	112270	2-Pin clamp



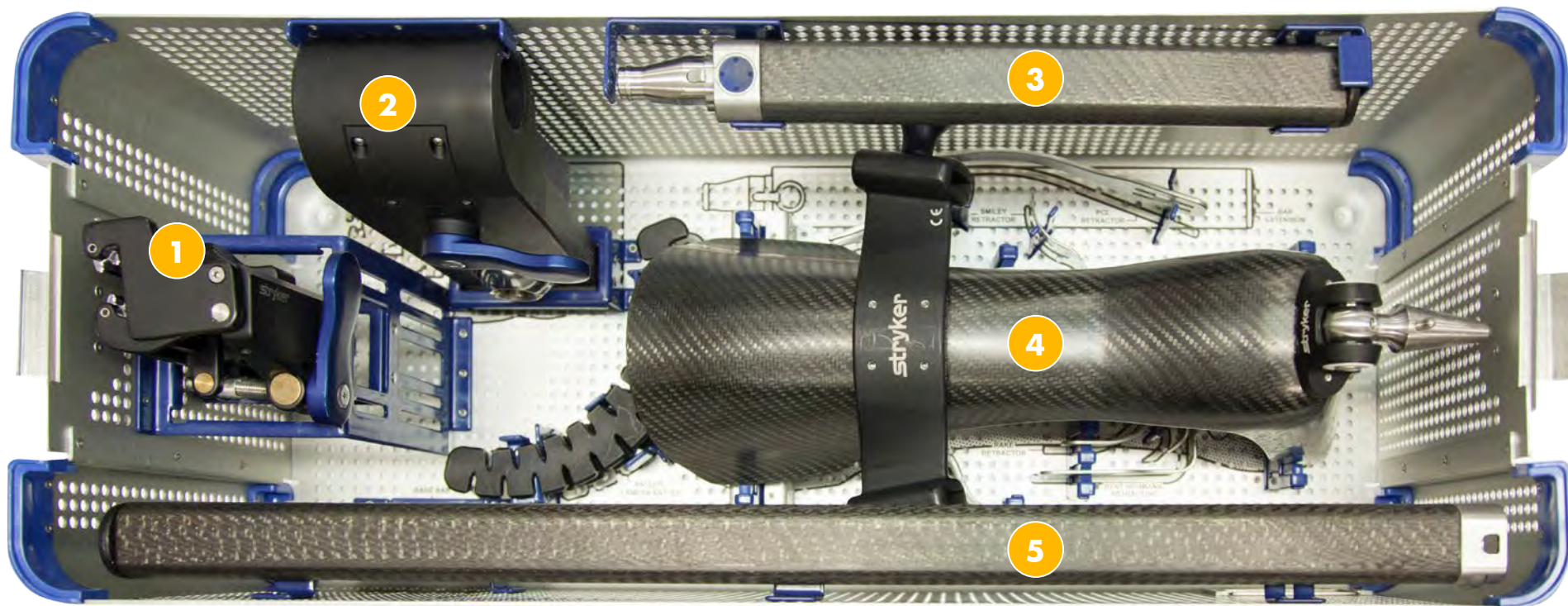
Lower tray

		Description
1	120095	Cement removal tool
2	111140	Slaphammer
3	164100	Planar probe
4	164505-03	Spacer paddle 5 × 6mm (2)
5	164505-02	Spacer paddle 3 × 4mm (2)
6	164505-01	Spacer paddle 1 × 2mm (2)

		Description
7	164001-18	Spacer block 16/18mm
8	164001-20	Spacer block 20/22mm
9	164306	Lamina spreader
10	164206	Knee tensioner
11	164006	Spacer shim, 5mm



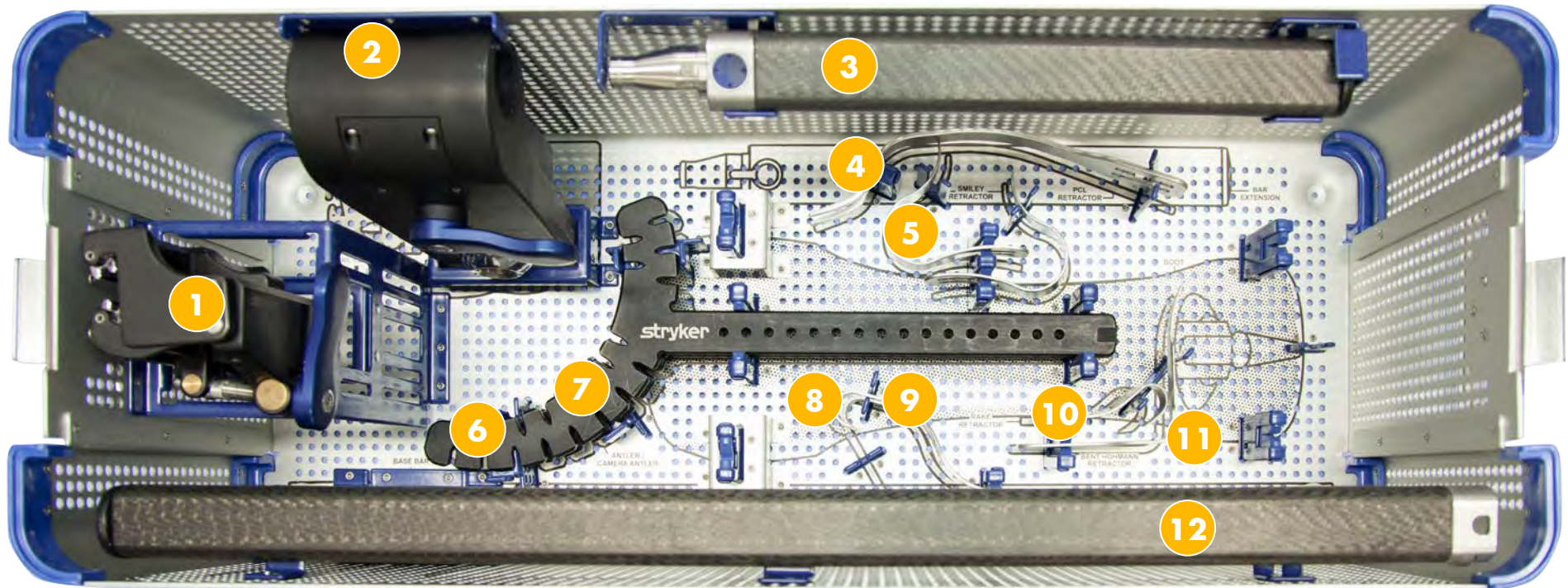
	Description
1	209063 MICS handpiece
2	210223 Saw attachment wrench
3	212480 Angled sagittal saw
4	212186 Straight sagittal saw



Upper tray

	Description
1 210040	Rail clamp
2 210110	Sled
3 210070	Extension bar

	Description
4 210080	Boot with bridge
5 210060	Base bar

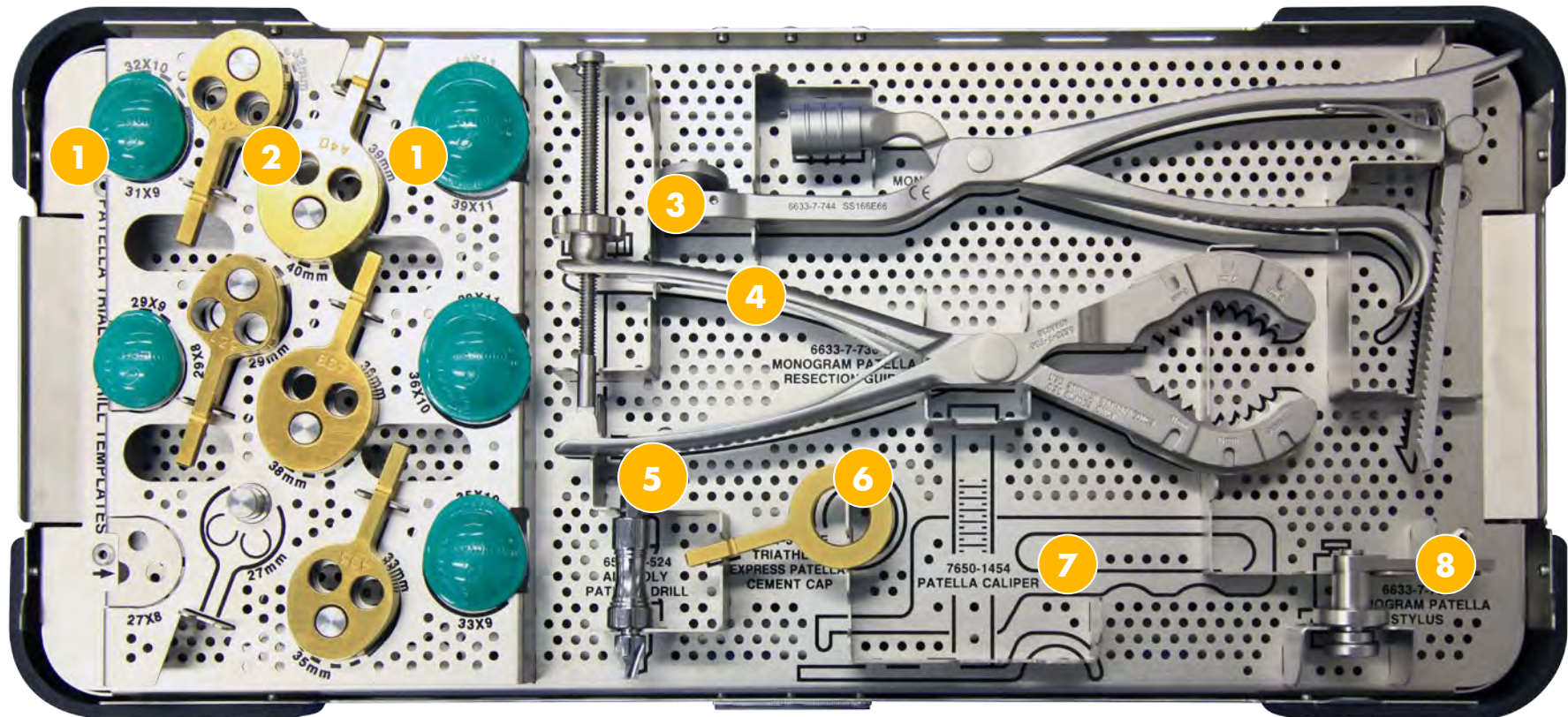


Lower tray

Description		Description	
1	210040 Rail clamp	8	210195 Patella retractor*
2	210110 Sled	9	210196 Patella protector*
3	210070 Extension bar	10	210193 Rake retractor
4	210194 PCL retractor	11	210191 Hohmann retractor
5	210192 Smiley retractor (2)	12	210060 Base bar
6	210098 Large antler		
7	210099 Small antler (located below long antler)		

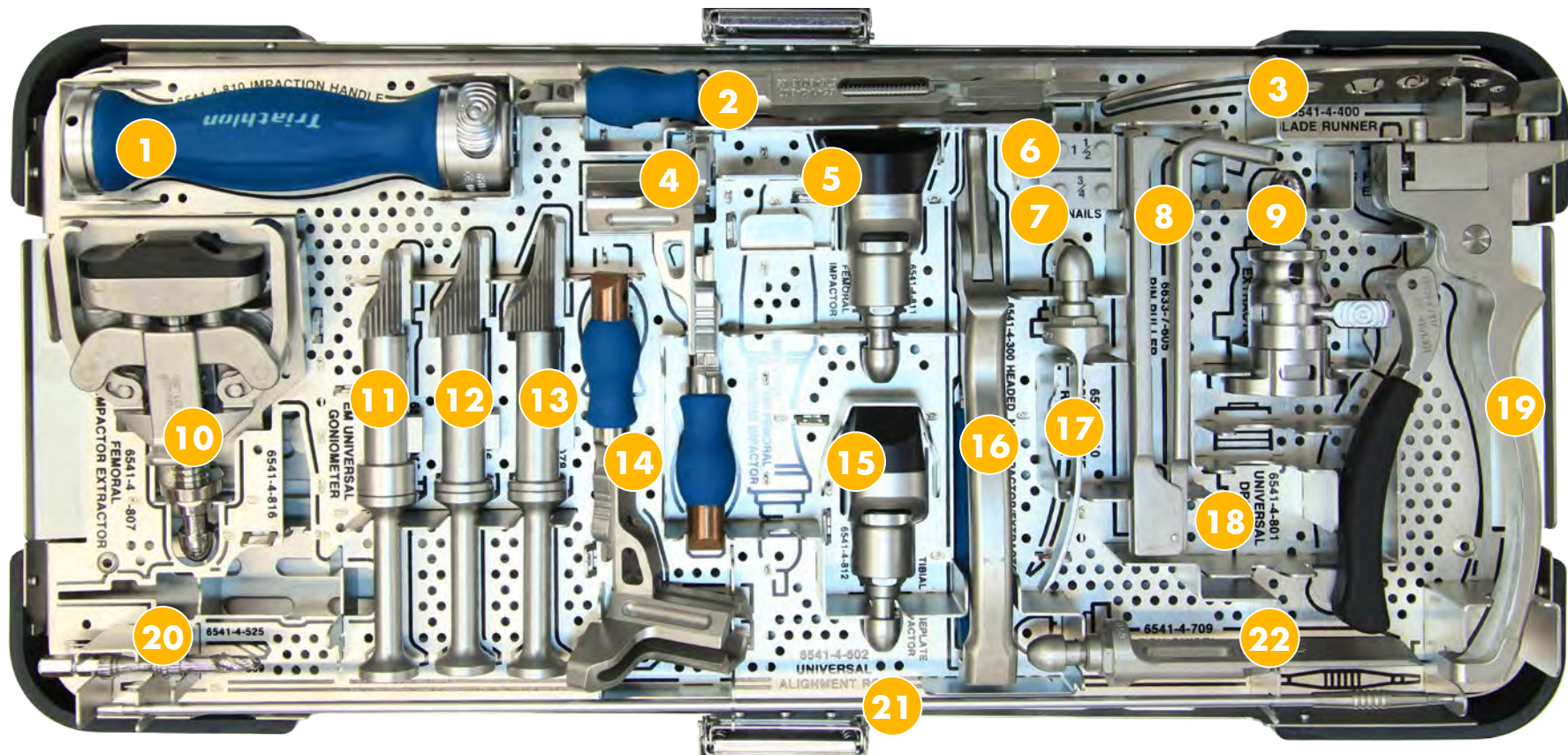
*Optional: either the Patella Retractor or the Patella Protector

Triathlon knee system express patella instrument kit



	Description
1	5551-TXXX Asymmetric trials
2	6541-36XXE Express asymmetric drill templates
3	6633-7744 Patella clamp
4	6633-7736 Slotted patella resection guide

	Description
5	6541-3524 All poly drill w/ stop
6	6541-3800E Express cement cap
7	7650-1454 Patella calliper
8	6633-7738 Patella stylus



	Description
1	6541-4-810 Impaction handle
2	6541-2-807 Tibial alignment handle
3	6541-4-400 Bladerunner
4	6541-2-713 Keel punch guide, size 1-3
5	6541-4-811 MIS femoral flexion impactor
6	6541-4-515 Headed nail 1.5" × 2
7	6541-4-575 Headed nails 0.75" × 2
8	6633-7-605 Pin puller
9	6541-4-805 Baseplate impactor/extractor
10	6541-4-807 Femoral impactor/extractor
11	6541-2-013 Keel punch, size 1-3
12	6541-2-046 Keel punch, size 4-6

	Description
13	6541-2-078 Keel punch, size 7-8
14	6541-2-748 Keel punch guide, size 4-8
15	6541-4-812 Tibial baseplate impactor
16	6541-4-300 Headed nail impactor/extractor
17	6541-4-710 Posterior osteophyte removal tool
18	6541-4-801 Universal driver
19	6541-7-807 MIS femoral trial extractor
20	6541-4-525 1/4" Peg drill
21	6541-4-602 Universal alignment rod
22	6541-4-709 Box chisel

A surgeon must always rely on his or her own professional clinical judgment when deciding whether to use a particular product when treating a particular patient. Stryker does not dispense medical advice and recommends that surgeons be trained in the use of any particular product before using it in surgery.

The information presented is intended to demonstrate the breadth of Stryker's product offerings. A surgeon must always refer to the package insert, product label and/or instructions for use before using any Stryker product. The products depicted are CE marked according to the Medical Device Directive 93/42/EEC. Products may not be available in all markets because product availability is subject to the regulatory and/or medical practices in individual markets. Please contact your sales representative if you have questions about the availability of Stryker's products in your area.

Stryker Corporation or its divisions or other corporate affiliated entities own, use or have applied for the following trademarks or service marks: Mako, Stryker, Triathlon. All other trademarks are trademarks of their respective owners or holders.